

DESCRIPTION

AMC MODEL SWS-2184-1DR-LVT-HERM OPTION 052 IS A REFLECTIVE BROAD BAND SPST SWITCH MODULE WITH INTERGRAL TTL DRIVER PACKAGE IN A LOW PROFILE, HERMETICALLY SEALED HOUSING.

SPECIFICATIONS

- FREQUENCY RANGE: 0.5 GHz TO 2.0 GHz
- INSERTION LOSS: 1.0 dB MAXIMUM
- ISOLATION: 80 dB MINIMUM
- VSWR: 1.5:1
- SWITCHING SPEED: RISE 3 nsec MAXIMUM
FALL 5 nsec MAXIMUM
ON 25 nsec MAXIMUM
OFF 25 nsec MAXIMUM
- CONTROL LOGIC: TTL COMPATIBLE UNITY LOAD
LOGIC "0" = INSERTION LOSS
LOGIC "1" = ISOLATION
- CONNECTORS:
RF INPUT/OUTPUT: SMA FEMALE
POWER SOLDER PIN
CONTROL SOLDER PIN
- RF POWER RATING 2W CW, 10W PEAK (1US PW)
- POWER SUPPLY: +5V @ 50 mA MAXIMUM
-5V @ 5 mA MAXIMUM
- SIZE: 1.00" (L) x 0.65" (W) x 0.23" (H)
- WEIGHT: 1.5 OUNCE TYPICAL

OPTIONS:

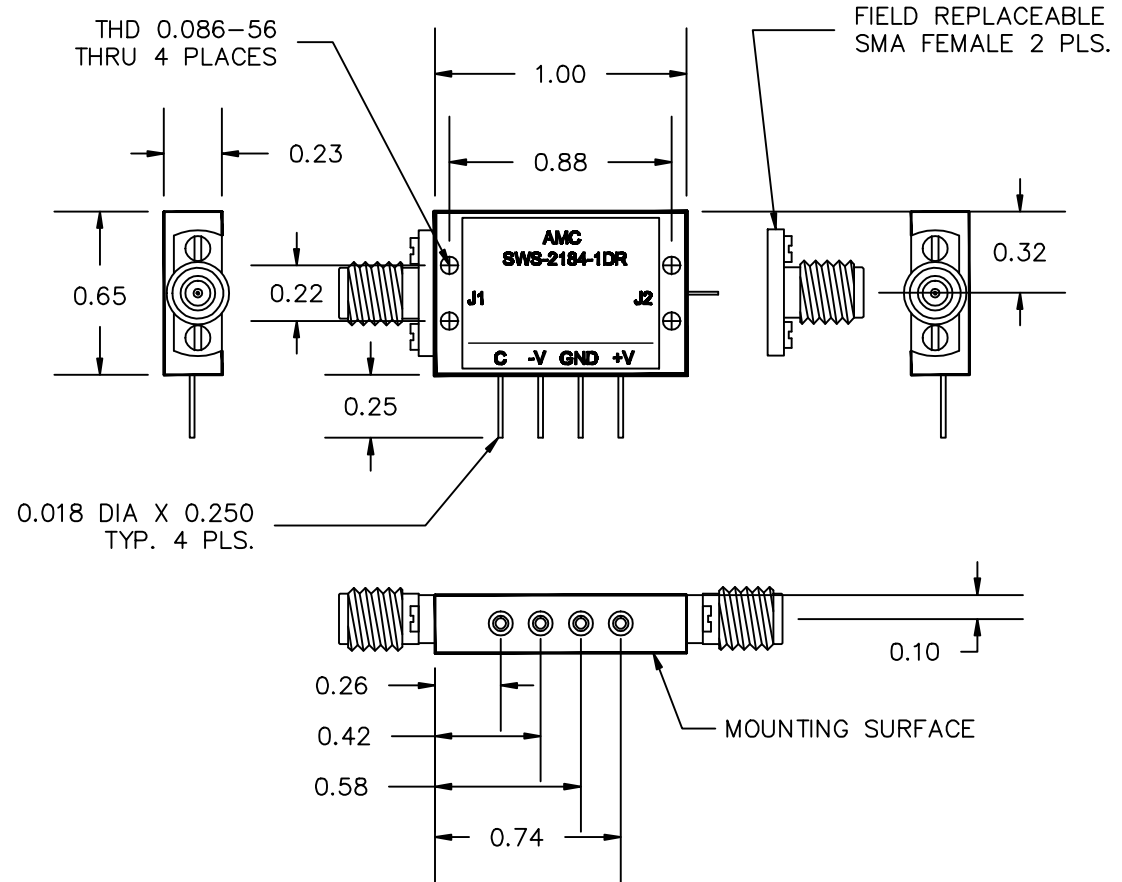
- 052: 0.5 GHz TO 2.0 GHz
- LVT: LOW VIDEO TRANSIENT
- HERM: HERMETICALLY SEALED HOUSING

ENVIRONMENTAL RATINGS:

- TEMPERATURE: 0°C TO +55°C (OPERATING)
-65°C TO +125°C (STORAGE)
- HUMIDITY: MIL-STD-202F, METHOD 103B COND. B
- SHOCK: MIL-STD-202F, METHOD 213B COND. B
- VIBRATION: MIL-STD-202F, METHOD 204D COND. B
- ALTITUDE: MIL-STD-202F, METHOD 105C COND. B
- TEMPERATURE CYCLE: MIL-STD-202F, METHOD 107D COND. A

NOTE: SPECIFICATIONS WILL VARY OVER OPERATING TEMPERATURE
NOTE: THE ABOVE SPECIFICATIONS ARE SUBJECT TO CHANGE OR REVISION

REVISIONS				
ZONE	REV.	DESCRIPTION	DATE	APPROVED
-		ORIGINAL RELEASE JOB# 605082-2	10/24/06	



AMERICAN MICROWAVE CORPORATION

7311-G GROVE ROAD
FREDERICK, MARYLAND 21704 USA
TEL: 301-662-4700 FAX: 301-662-4938
WEBSITE: www.americamicrowavecorp.com
E-MAIL: sales@americamicrowavecorp.com
ISO 9001:2000 CERTIFIED



APPROVALS		DATE	TITLE		
DRAWN <i>PRB</i>		10/24/06	PRODUCT FEATURE SWS-2184-1DR-LVT-HERM OPTION: 052 0.5 GHz TO 2.0 GHz PIN DIODE SWITCH		
CHECKED			SIZE	FSCM NO.	DWG NO.
ISSUED			A	60483	100-7719-000
			SCALE	N:S	SHEET 1 OF 4

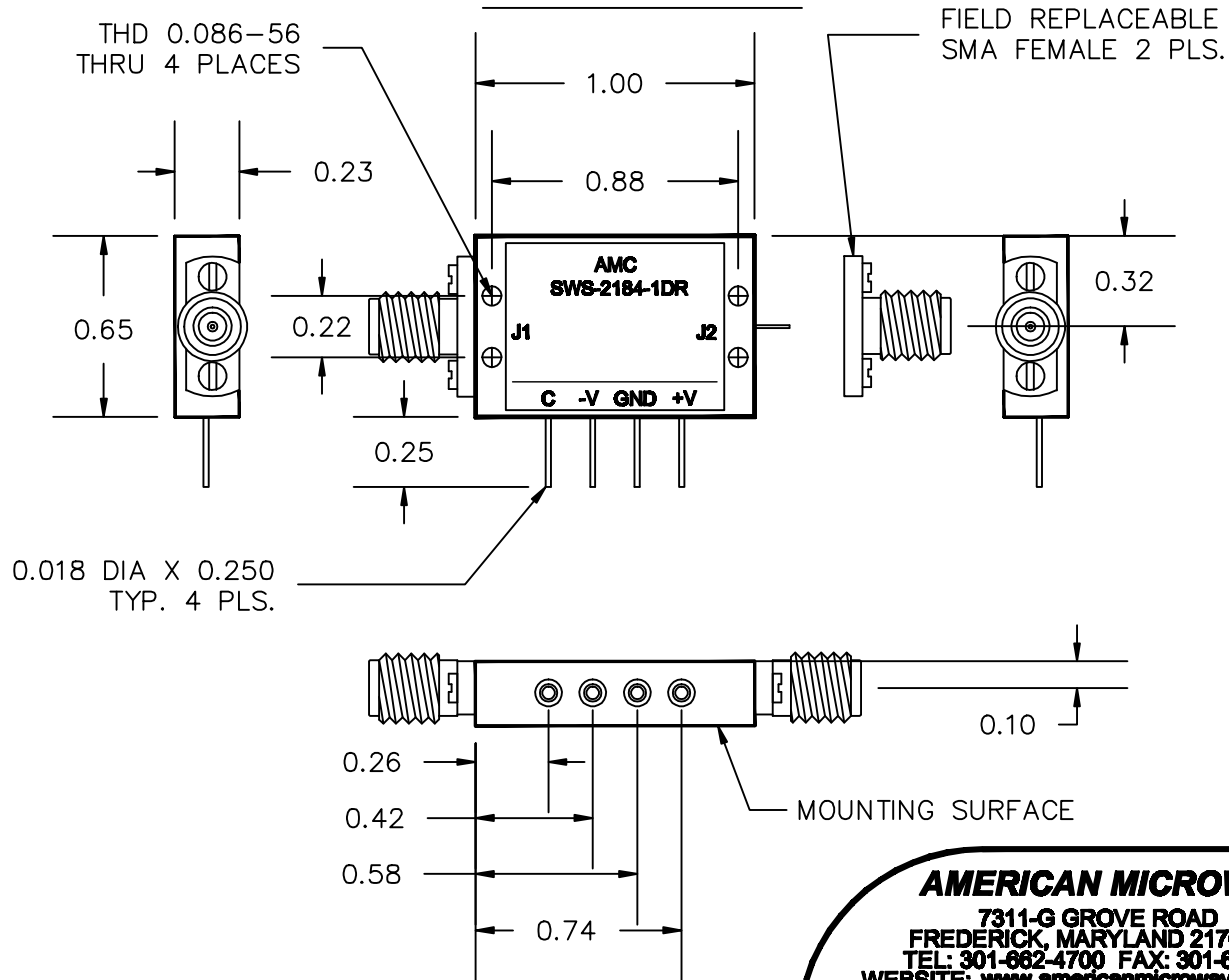
ALL DIMENSIONS ARE IN INCHES
TOLERANCES:
X.XX ±0.020
X.XXX ±0.010

DESCRIPTION

AMC MODEL SWS-2184-1DR-LVT-HERM OPTION 052 IS A REFLECTIVE BROAD BAND SPST SWITCH MODULE WITH INTERGRAL TTL DRIVER PACKAGE IN A LOW PROFILE, HERMETICALLY SEALED HOUSING.

REVISIONS				
ZONE	REV.	DESCRIPTION	DATE	APPROVED
	-	ORIGINAL RELEASE	JOB# 605082-2	10/24/06

MECHANICAL OUTLINE



AMERICAN MICROWAVE CORPORATION

7311-G GROVE ROAD
 FREDERICK, MARYLAND 21704 USA
 TEL: 301-662-4700 FAX: 301-662-4938
 WEBSITE: www.americamicrowavecorp.com
 E-MAIL: sales@americamicrowavecorp.com
 ISO 9001:2000 CERTIFIED



ALL DIMENSIONS ARE IN INCHES
 TOLERANCES:
 X.XX ±0.020
 X.XXX ±0.010

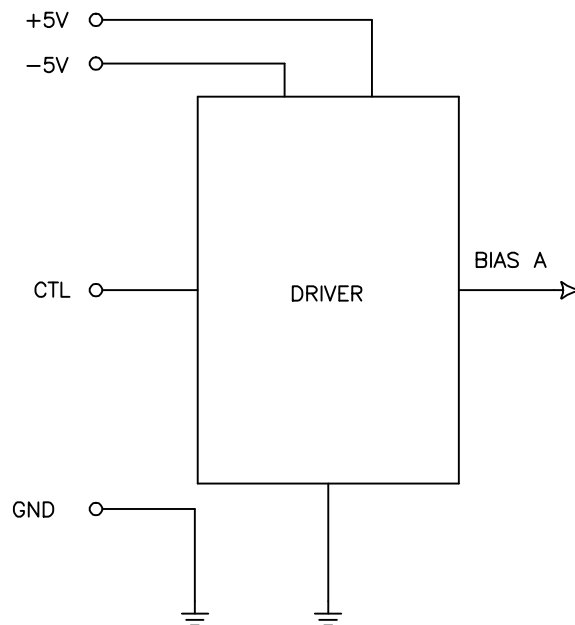
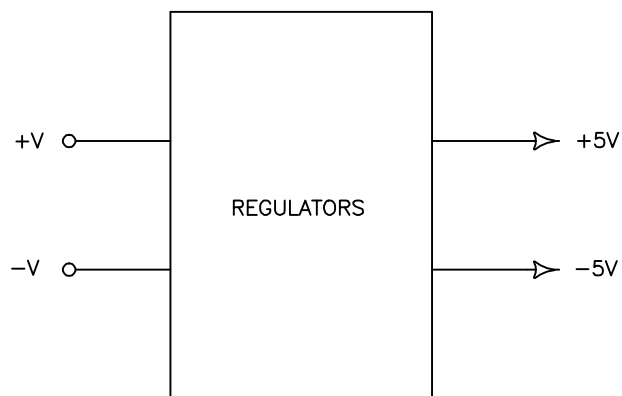
APPROVALS		DATE		TITLE		REV.	
DRAWN <i>PRB</i>		10/24/06		MECHANICAL OUTLINE SWS-2184-1DR-LVT-HERM OPTION: 052 0.5 GHz TO 2.0 GHz PIN DIODE SWITCH		-	
CHECKED		SIZE	FSCM NO.	DWG NO.			
		A	60483	100-7719-000			
ISSUED		SCALE	N:S		SHEET	2 OF 4	

DESCRIPTION

AMC MODEL SWS-2184-1DR-LVT-HERM OPTION 052 IS A REFLECTIVE BROAD BAND SPST SWITCH MODULE WITH INTERGRAL TTL DRIVER PACKAGE IN A LOW PROFILE, HERMETICALLY SEALED HOUSING.

REVISIONS				
ZONE	REV.	DESCRIPTION	DATE	APPROVED
	-	ORIGINAL RELEASE JOB# 605082-2	10/24/06	

FUNCTIONAL BLOCK DIAGRAM



CONFIDENTIAL AND PROPRIETARY

AMERICAN MICROWAVE CORPORATION

7311-G GROVE ROAD
 FREDERICK, MARYLAND 21704 USA
 TEL: 301-662-4700 FAX: 301-662-4938
 WEBSITE: www.americamicrowavecorp.com
 E-MAIL: sales@americamicrowavecorp.com
 ISO 9001:2000 CERTIFIED



APPROVALS		DATE	TITLE		
DRAWN <i>PRB</i>		10/24/06	FUNCTIONAL BLOCK DIAGRAM SWS-2184-1DR-LVT-HERM OPTION: 052 0.5 GHz TO 2.0 GHz PIN DIODE SWITCH		
CHECKED			SIZE	FSCM NO.	DWG NO.
ISSUED			A	60483	100-7719-000
			SCALE	N:S	SHEET 3 OF 4
					REV. -